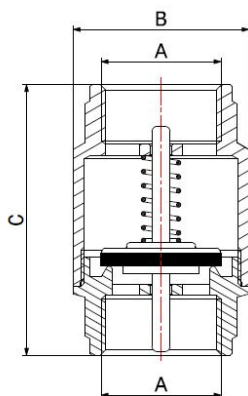
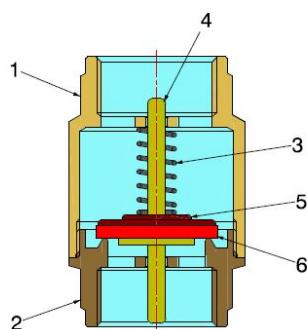


CHECK VALVES

EUROPA

1000



- Europa check valve
- Female thread ISO 228
- Temperature range min - 20°C - max + 100°C

Valve properly used when it performs a non-return function for fluids that are generally non-corrosive, compatibly with the valve materials. Plumbing, heating, industrial, agricultural and pneumatic sectors are the ideal fields of application.

The flow direction is indicated by an arrow on the valve body, while the installation can be in any position.

The seat tightness is guaranteed by a NBR seal.

COMPONENTS

POS.	PART NAME	N°	MATERIAL
1	Body	1	CW617N UNI-EN 12165
2	End connection	1	Nylon
3	Spring	1	AISI 302 stainless steel
4	Guide pin	1	CW617N UNI-EN 12164
5	Plate	1	AISI 304 stainless steel
6	Gasket	1	NBR

DIMENSIONS

DN	A	B	C	PN
10	3/8"	35	55	25
15	1/2"	35	59	25
20	3/4"	42	65	25
25	1"	48	75	25
32	1.1/4"	61	83	18
40	1.1/2"	71	93	18
50	2"	87	101	18
65	2.1/2"	120	122	12
80	3"	140	142	12
100	4"	173	159	12

PACKAGING

	3/8"	1/2"	3/4"	1"	1.1/4"	1.1/2"	2"	2.1/2"	3"	4"
CODE	10000003	10000004	10000006	10000008	10000010	10000011	10000013	10000015	10000017	10000019
PCS BOX	10	10	8	6	4	2	2	-	-	-
PCS CARTON	130	120	88	54	36	24	18	6	4	2