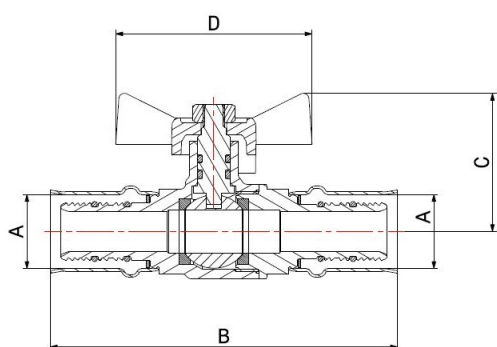
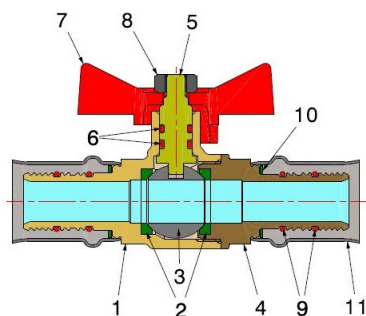
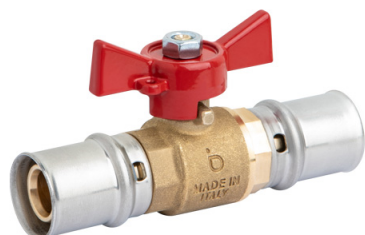


PRESS FITTINGS FOR PEX-AL-PEX PIPES

BUILT-IN BALL VALVE WITH PRESS CONNECTIONS

402100



- Built-in ball valve with T handle and press connections
- Maximum operating pressure of 10 bar
- Temperature range between min 0°C – max +95°C
- The jaws for the fitting pressing have to be **TH** profile

Valve suitable for distributing and interrupting fluids that are generally non – corrosive and compatibly with the valve material. Heating, plumbing and industrial systems are the ideal fiels of application, such as high and low temperature heating systems, air-conditioning and distribution of drinking water. The ball seal is guaranteed by two PTFE seats. The operating mechanism seal features two O-Rings with an internally installed stem and anti-ejection system. The Pex-Al-Pex valve-pipe seal is ensured by two O-Rings in EPDM PEROX, particularly suitable for use with water and glycol solutions maximum 50%. The pressing of the stainless steel sleeve, to be carried out with electromechanical tools, guarantees a perfect and indivisible join between fitting and pipe and a good resistance to external stresses. It is advisable to carry out a complete maneuver cycle at least once every three months in order to prevent limescale deposits that could compromise the valve functioning.

COMPONENTS

| POS. | PART NAME | N° | MATERIAL |
|------|----------------|----|-----------------------------------|
| 1 | Body | 1 | CW617N UNI-EN 12165 |
| 2 | Seal | 2 | PTFE |
| 3 | Ball | 1 | CW617N UNI-EN 12164 chrome-plated |
| 4 | End connection | 1 | CW617N UNI-EN 12164 |
| 5 | Stem | 1 | CW617N UNI-EN 12164 |
| 6 | O-Ring | 2 | EPDM Perox |
| 7 | "T" handle | 1 | Lacquered alluminium |
| 8 | Nut | 1 | Galvanised iron |
| 9 | O-Ring | 4 | EPDM Perox |
| 10 | Washer | 2 | PTFE |
| 11 | Bushing | 2 | AISI 304 stainless steel |

DIMENSIONS

| A | B | C | D | PN |
|----|-----|----|----|----|
| 16 | 96 | 38 | 54 | 10 |
| 20 | 96 | 38 | 54 | 10 |
| 26 | 96 | 40 | 54 | 10 |
| 32 | 100 | 43 | 54 | 10 |

PACKAGING

| | 16 | 20 | 26 | 32 |
|------------|-----------|-----------|-----------|-----------|
| CODE | 40210016R | 40210020R | 40210026R | 40210032R |
| PCS BOX | 10 | 10 | 10 | 8 |
| PCS CARTON | 100 | 100 | 100 | 80 |