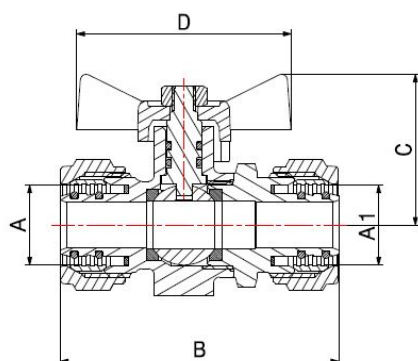
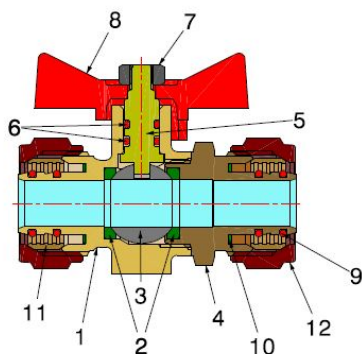


COMPRESSION FITTINGS FOR PEX-AL-PEX PIPES

BALL VALVE

8643



- Flanged ball valve with compression ends and T handle
- Maximum operating pressure 10 bar
- Temperature range between min 0°C - max +95°C

Valve suitable for distributing and interrupting fluids that are generally non-corrosive, compatibly with the valve materials. Heating, plumbing and industrial systems are the ideal fields of application, such as high and low temperature heating systems, HVAC, air-conditioning and water distribution.

The ball seal is guaranteed by two PTFE seats.

The operating mechanism seal features two O-Rings with an internally installed stem and anti-ejection system.

It is advisable to carry out a complete maneuver cycle at least once every three months in order to prevent limescale deposits that could compromise the valve functioning.

COMPONENTS

POS.	PART NAME	N°	MATERIAL
1	Body	1	CW617N UNI-EN 12165 nickel-plated
2	Seal	2	PTFE
3	Ball	1	CW617N UNI-EN 12164 chrome-plated
4	End connection	1	CW617N UNI-EN 12164 nickel-plated
5	Stem	1	CW617N UNI-EN 12164
6	O-Ring stem	2	EPDM Perox
7	Nut	1	Galvanised iron
8	"T" handle	1	Lacquered alluminium
9	O-Ring	4	EPDM Perox
10	Washer	2	PTFE
11	Ogive	2	CW617N UNI-EN 12164
12	Nut	2	CW617N UNI-EN 12165 nickel-plated

DIMENSIONS

A	A1	B	C	D
16x2	16x2	65	36	54
20x2	20x2	70	38	54

PACKAGING

	16 - 16	20 - 20
CODE	86431616	86432020
PCS BOX	20	15
PCS CARTON	200	150