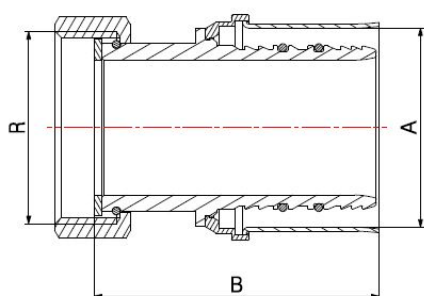
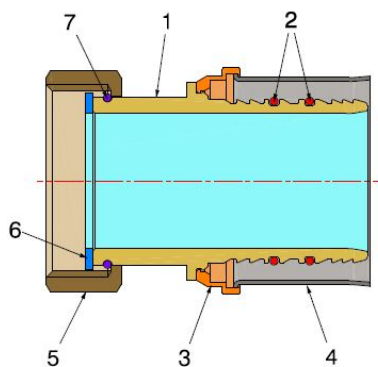
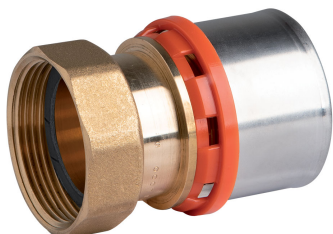


PRESS FITTINGS FOR PEX-AL-PEX PIPES

## STRAIGHT FITTING WITH SWIVEL NUT

4006



- Straight press fitting with swivel nut
- Maximum operating pressure 10 bar
- Thread ISO 228
- Temperature range min 0°C - max +95°C
- The jaws for the fittings pressing have to be **TH** profile.

Fitting suitable for distributing fluids that are generally non-corrosive, compatibly with the fitting materials. Heating, plumbing and industrial systems are the ideal fields of application, such as high and low temperature heating systems, air-conditioning and distribution of drinking water. The tightness is guaranteed by two EPDM PEROX O-Rings, particularly recommended with water-glycol solutions, with a maximum glycol presence of 50%. The steel sleeve pressing, carried out with electromechanical tools, ensures a perfect and indivisible crimping to the pipe as well as an excellent resistance to external stress.

## ACS

### COMPONENTS

POS.	PART NAME	N°	MATERIAL
1	Fitting	1	CW617N UNI-EN 12164
2	O-Ring	2	EPDM Perox
3	Bushing holder	1	Plastic
4	Bushing	1	AISI 304 stainless steel
5	Nut	1	CW617N UNI-EN 12165 (hot pressed) - CW617N UNI-EN 12164 (from bar)
6	Gasket	1	Fasit Omnia
7	Snap ring	1	Stainless steel

\* Measurements without snap ring component

### DIMENSIONS

A	R	B
40*	1.1/4"	65
50	1.1/2"	77
63	2"	79
75	2.1/2"	118

### PACKAGING

	40 - 1.1/4"	50 - 1.1/2"	63 - 2"	75 - 2.1/2"
<b>CODE</b>	<b>40064010</b>	<b>40065011</b>	<b>40066313</b>	<b>40067515</b>
PCS BAG	2	2	2	2
PCS CARTON	30	20	14	14