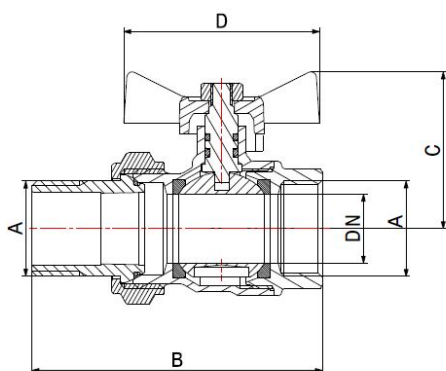
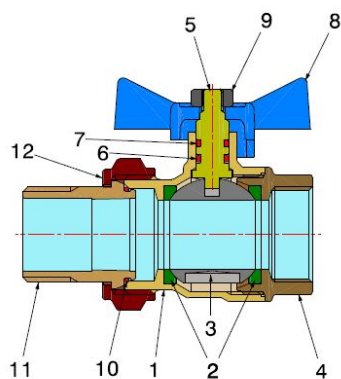


WATER BALL VALVES

TAMIGI

765000B



- Water ball valve with connector and blue T handle
- Thread ISO 228
- Temperature range min -10°C - max +120°C

Valve suitable for distributing and interrupting liquids that are generally non-corrosive, compatibly with the valve materials. Plumbing, heating, industrial and agricultural sectors are the ideal fields of application. It's a full bore valve and the ball seal is guaranteed by two PTFE seats.

The operating mechanism seal features two O-Rings with an internally installed stem and anti-ejection system.

It is advisable to carry out a complete maneuver cycle at least once every three months in order to prevent limescale deposits that could compromise the valve functioning.

COMPONENTS

POS.	PART NAME	N°	MATERIAL
1	Body	1	CW617N UNI-EN 12165 nickel-plated
2	Seal	2	PTFE
3	Ball	1	CW617N UNI-EN 12165 chrome-plated
4	End connection	1	CW617N UNI-EN 12165 nickel-plated
5	Stem	1	CW617N UNI-EN 12164
6	O-Ring	1	EPDM Perox
7	O-Ring	1	FKM
8	"T" handle	1	Lacquered aluminium
9	Nut	1	Galvanised iron
10	O-Ring	1	EPDM Perox
11	Connector	1	CW617N UNI-EN 12165 nickel-plated
12	Nut	1	CW617N UNI-EN 12165 nickel-plated

DIMENSIONS

DN	A	B	C	D	PN
15	1/2"	69	47	54	40
20	3/4"	81	51	54	40
25	1"	88	57	70	40
32	1.1/4"	110	59	70	30

PACKAGING

	1/2"	3/4"	1"	1.1/4"
CODE	76500004B	76500006B	76500008B	76500010B
PCS BOX	15	10	6	6
PCS CARTON	150	100	72	30