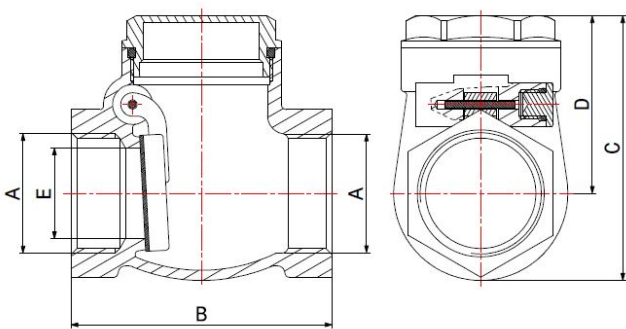
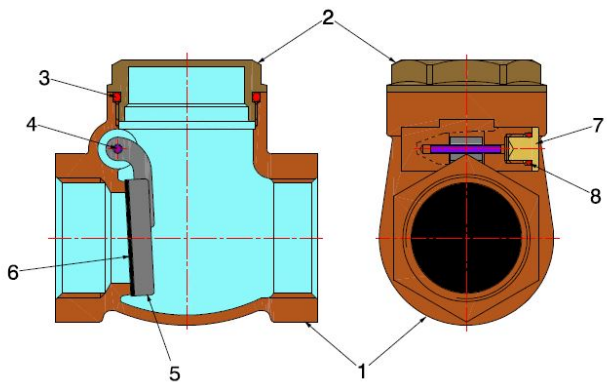


SWING CHECK VALVES

**BRONZE SWING CHECK VALVE RUBBER SEAT - INCHES**

3011



**COMPONENTS**

POS.	PART NAME	N°	MATERIAL
1	Body	1	Bronze CC491K UNI-EN 1982:2000
2	Cap	1	CW617N (1/2") UNI-EN 12164 - CW617N (from 3/4" to 4") UNI-EN 12165
3	Cap O-Ring	1	NBR
4	Pin	1	CW617N UNI-EN 12164
5	Clapet	1	CW617N UNI-EN 12165
6	Clapet gasket	1	NBR
7	M8 Cap	1	CW617N UNI-EN 12164
8	O-Ring	1	NBR

**DIMENSIONS INCHES**

A	B	C	D	E	PSI
1/2"	2,165	2,087	1,417	0,551	200
3/4"	2,441	2,520	1,693	0,787	200
1"	2,835	2,874	1,929	0,984	200
1.1/4"	3,228	3,346	2,244	1,181	200
1.1/2"	3,543	3,740	2,480	1,378	200
2"	4,134	4,213	2,717	1,850	200
2.1/2"	4,921	5,039	3,228	2,362	200
3"	5,669	5,709	3,583	2,913	200
4"	6,929	7,559	4,843	3,740	200

**PACKAGING**

	1/2"	3/4"	1"	1.1/4"	1.1/2"	2"	2.1/2"	3"	4"
<b>CODE</b>	<b>3011010D00</b>	<b>3011010E00</b>	<b>3011010F00</b>	<b>3011010G00</b>	<b>3011010H00</b>	<b>3011010I00</b>	<b>3011010J00</b>	<b>3011010K00</b>	<b>3011010M00</b>
PCS BOX	15	10	6	-	-	-	-	-	-
PCS CARTON	120	80	48	40	35	20	14	6	4