

WATER BALL VALVES

TAMIGI

761700

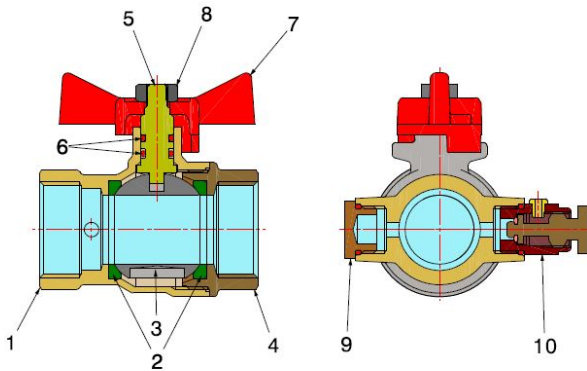


- F/F ball valve with drain cock and T handle
- Thread ISO 228
- Temperature range min -10°C - max +95°C

Valve suitable for distributing and interrupting liquids that are generally non-corrosive, compatibly with the valve materials. Plumbing, heating, industrial and agricultural sectors are the ideal fields of application. It's a full bore valve and the ball seal is guaranteed by two PTFE seats.

The operating mechanism seal features two O-Rings with an internally installed stem and anti-ejection system.

It is advisable to carry out a complete maneuver cycle at least once every three months in order to prevent limescale deposits that could compromise the valve functioning.



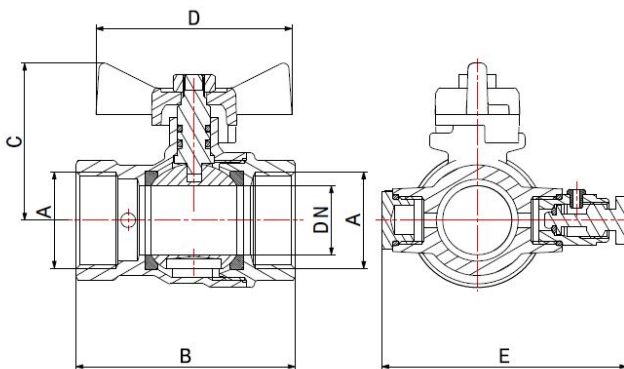
COMPONENTS

POS.	PART NAME	N°	MATERIAL
1	Body	1	CW617N UNI-EN 12165 nickel-plated
2	Seal	2	PTFE
3	Ball	1	CW617N UNI-EN 12165 chrome-plated
4	End connection	1	CW617N UNI-EN 12165 nickel-plated
5	Stem	1	CW617N UNI-EN 12164
6	O-Ring	2	NBR
7	"T" handle	1	Lacquered aluminium
8	Nut	1	Galvanised iron
9	Cap with O-Ring	1	See code 330011022XA
10	Drain valve	1	See code 39911102

DIMENSIONS

DN	A	B	C	D	E	PN	KV*
15	1/2"	54	47	54	63	15	10,05
20	3/4"	61	51	54	70	15	24,56
25	1"	70	57	70	76	15	51,21

PRESSURE DROP see chart at the end of catalogue



PACKAGING

	1/2"	3/4"	1"
CODE	76170004R	76170006R	76170008R
PCS BOX	10	10	8
PCS CARTON	120	120	72