

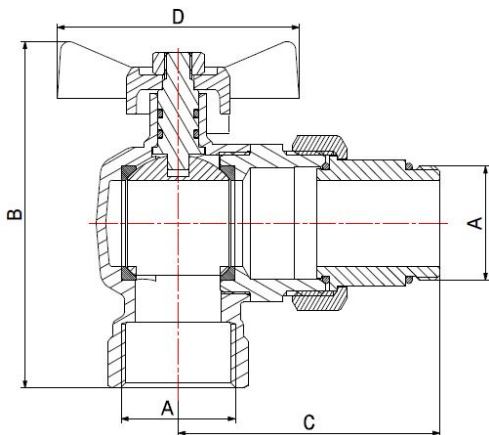
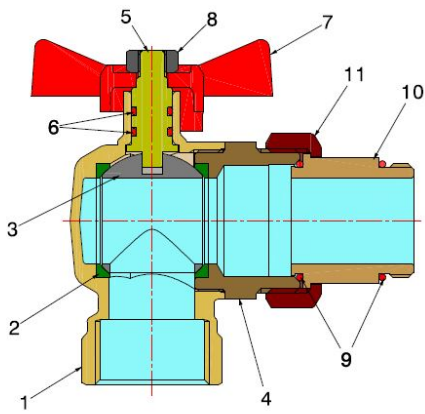
WATER BALL VALVES

TAMIGI

766200R



- M/F angle ball valve with short connector and red T handle
- Thread ISO 228
- Temperature range min -10°C max + 95°C
- Seat for thermometer 76610000 insertion



Valve suitable for distributing and interrupting liquids that are generally non-corrosive, compatibly with the valve materials. Heating, plumbing, industrial and agricultural systems are the ideal fields of application. It's a full bore valve and the ball seal is guaranteed by two PTFE seats.

The operating mechanism seal features two O-Rings with an internally installed stem and anti-ejection system.

It is advisable to carry out a complete maneuver cycle at least once every three months in order to prevent limescale deposits that could compromise the valve functioning.

COMPONENTS

POS.	PART NAME	N°	MATERIAL
1	Body	1	CW617N UNI-EN 12165 nickel-plated
2	Seal	2	PTFE
3	Ball	1	CW617N UNI-EN 12165 chrome-plated
4	End connection	1	CW617N UNI-EN 12165 nickel-plated
5	Stem	1	CW617N UNI-EN 12164
6	O-Ring	2	EPDM Perox
7	"T" handle	1	Lacquered aluminium
8	Nut	1	Galvanised iron
9	O-Ring	2	EPDM Perox
10	Short connector	1	CW617N UNI-EN 12164 nickel-plated
11	Nut	1	CW617N UNI-EN 12165 nickel-plated

DIMENSIONS

DN	A	B	C	D	PN
25	1"	103	75	70	40

PACKAGING

	1"
CODE	76620008R
PCS BOX	4
PCS CARTON	40