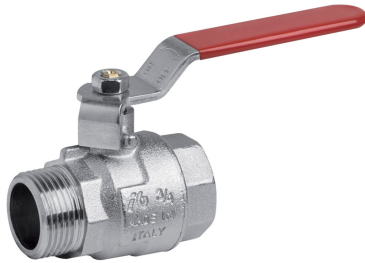


WATER BALL VALVES

**TAMIGI**

760501

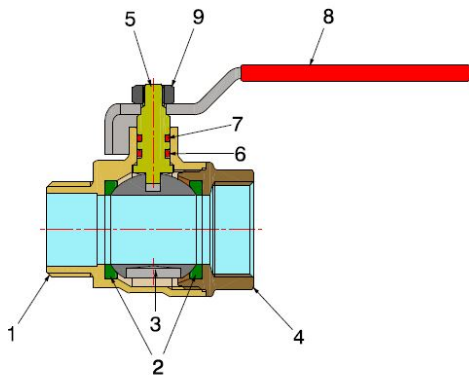


- M/F water ball valve with iron lever
- Thread ISO 228
- Temperature range min -10°C - max +120°C

Valve suitable for distributing and interrupting liquids that are generally non-corrosive, compatibly with the valve materials. Plumbing, heating, industrial and agricultural sectors are the ideal fields of application. It's a full bore valve and the ball seal is guaranteed by two PTFE seats.

The operating mechanism seal features two O-Rings with an internally installed stem and anti-ejection system.

It is advisable to carry out a complete maneuver cycle at least once every three months in order to prevent limescale deposits that could compromise the valve functioning.



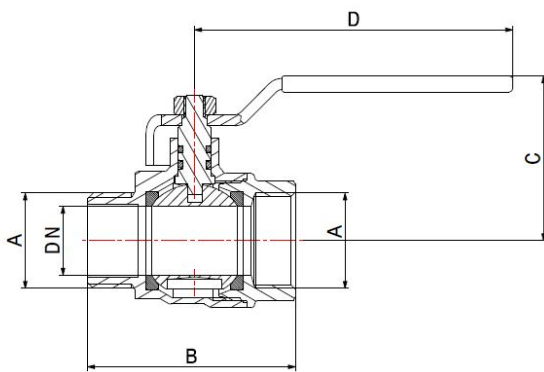
**COMPONENTS**

POS.	PART NAME	N°	MATERIAL
1	Body	1	CW617N UNI-EN 12165 nickel-plated
2	Seal	2	PTFE
3	Ball	1	CW617N UNI-EN 12165 chrome-plated
4	End connection	1	CW617N UNI-EN 12165 nickel-plated
5	Stem	1	CW617N UNI-EN 12164
6	O-Ring	1	EPDM Perox
7	O-Ring	1	FKM
8	Lever	1	Galvanised iron and PVC coated
9	Nut	1	Galvanised iron

**DIMENSIONS**

DN	A	B	C	D	PN	KV*
10	3/8"	39	43	87	40	-
15	1/2"	51	45	87	40	10,05
20	3/4"	58	47	87	40	24,56
25	1"	67	59	120	40	51,21
32	1.1/4"	79	72	120	30	68,65
40	1.1/2"	92	88	150	30	98,83
50	2"	107	97	150	30	177,04

PRESSURE DROP see chart at the end of catalogue



**PACKAGING**

	3/8"	1/2"	3/4"	1"	1.1/4"	1.1/2"	2"
<b>CODE</b>	<b>76050103R</b>	<b>76050104R</b>	<b>76050106R</b>	<b>76050108R</b>	<b>76050110R</b>	<b>76050111R</b>	<b>76050113R</b>
PCS BOX	25	20	15	8	-	-	-
PCS CARTON	300	200	150	80	25	18	8