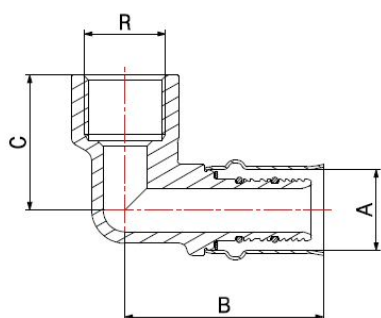
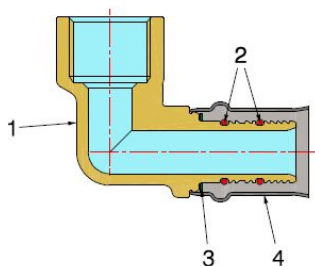


PRESS FITTINGS FOR PEX-AL-PEX PIPES

## FEMALE ELBOW FITTING

4052



- Female elbow press fitting
- Maximum operating pressure 10 bar
- Thread EN 10226-1
- Temperature range min 0°C - max +95°C
- The jaws for the fittings pressing have to be **TH** profile.

Fitting suitable for distributing fluids that are generally non-corrosive, compatibly with the fitting materials. Heating, plumbing and industrial systems are the ideal fields of application, such as high and low temperature heating systems, air-conditioning and distribution of drinking water. The tightness is guaranteed by two EPDM PEROX O-Rings, particularly recommended with water-glycol solutions, with a maximum glycol presence of 50%. The steel sleeve pressing, carried out with electromechanical tools, ensures a perfect and indivisible crimping to the pipe as well as an excellent resistance to external stress.

## ACS

### COMPONENTS

POS.	PART NAME	N°	MATERIAL
1	Fitting	1	CW617N UNI-EN 12165
2	O-Ring	2	EPDM Perox
3	Washer	1	PTFE
4	Bushing	1	AISI 304 stainless steel

### DIMENSIONS

A	R	B	C
16	1/2"	49	34
18	1/2"	50	34
20	1/2"	50	34
20	3/4"	50	35
26	3/4"	52	40
26	1"	55	40
32	1"	55	46

FOLLOWING THE DIMENSIONS FROM 40 TO 63

### PACKAGING

	16 - 1/2"	18 - 1/2"	20 - 1/2"	20 - 3/4"	26 - 3/4"	26 - 1"	32 - 1"
<b>CODE</b>	<b>40521604</b>	<b>40521804</b>	<b>40522004</b>	<b>40522006</b>	<b>40522606</b>	<b>40522608</b>	<b>40523208</b>
PCS BAG	10	10	10	10	5	5	5
PCS CARTON	150	120	120	100	80	50	50