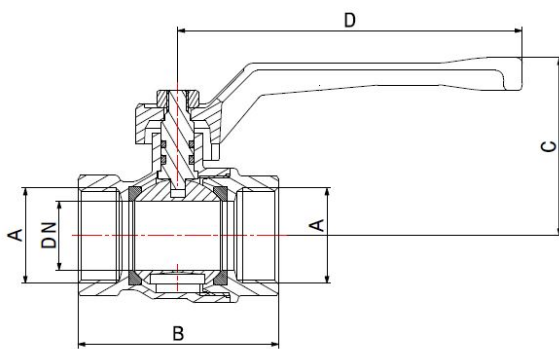
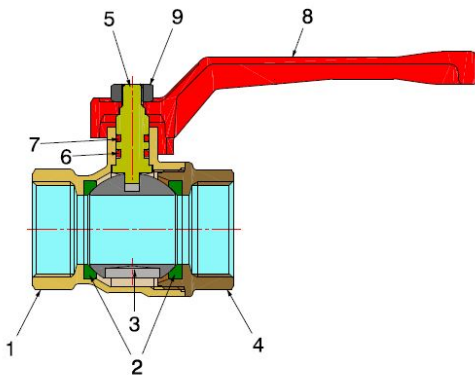


WATER BALL VALVES

TAMIGI

760002



- F/F water ball valve with aluminium lever
- Thread ISO 228
- Temperature range min -10°C - max +120°C

Valve suitable for distributing and interrupting liquids that are generally non-corrosive, compatibly with the valve materials. Plumbing, heating, industrial and agricultural sectors are the ideal fields of application. It's a full bore valve and the ball seal is guaranteed by two PTFE seats.

The operating mechanism seal features two O-Rings with an internally installed stem and anti-ejection system.

It is advisable to carry out a complete maneuver cycle at least once every three months in order to prevent limescale deposits that could compromise the valve functioning.



COMPONENTS

POS.	PART NAME	N°	MATERIAL
1	Body	1	CW617N UNI-EN 12165 nickel-plated
2	Seal	2	PTFE
3	Ball	1	CW617N UNI-EN 12165 chrome-plated
4	End connection	1	CW617N UNI-EN 12165 nickel-plated
5	Stem	1	CW617N UNI-EN 12164
6	O-Ring	1	EPDM Perox
7	O-Ring	1	FKM
8	Lever	1	Lacquered aluminium
9	Nut	1	Galvanised iron

DIMENSIONS

DN	A	B	C	D	PN	KV*
8	1/4"	39	39	95	40	-
10	3/8"	39	39	95	40	-
15	1/2"	49	45	95	40	10,05
20	3/4"	55	49	95	40	24,56
25	1"	65	56	120	40	51,21
32	1.1/4"	77	69	120	30	68,65
40	1.1/2"	90	80	150	30	98,83
50	2"	104	87	150	30	177,04

PRESSURE DROP see chart at the end of catalogue

PACKAGING

	1/4"	3/8"	1/2"	3/4"	1"	1.1/4"	1.1/2"	2"
CODE	76000202R	76000203R	76000204R	76000206R	76000208R	76000210R	76000211R	76000213R
PCS BOX	25	25	20	15	8	-	-	-
PCS CARTON	300	300	200	150	80	30	18	12