

WATER BALL VALVES

**MISSOURI**

796402



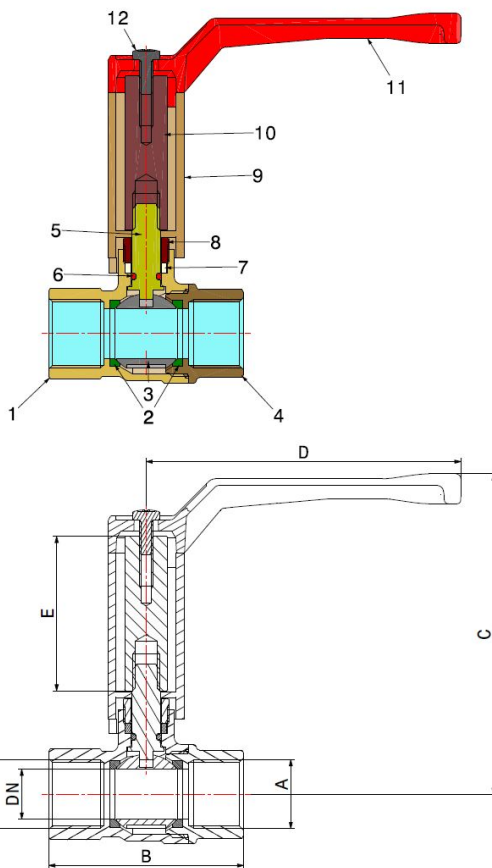
- DZR water ball valve with thermal protection extension
- Thread ISO 228
- Temperature range min -10°C - max +120°C



Valve suitable for distributing and interrupting liquids that could cause dezincification problems. Plumbing and heating systems and industrial sector are the ideal fields of application. It's a full bore valve and the ball seal is guaranteed by two PTFE seats.

The operating mechanism seal features an adjustable gland with a PTFE ring and a EPDM PEROX O-Ring. The stem is internally installed with an anti-ejection system.

It is advisable to carry out a complete maneuver cycle at least once every three months in order to prevent limescale deposits that could compromise the valve functioning.



**COMPONENTS**

POS.	PART NAME	N°	MATERIAL
1	Body	1	CW617N UNI-EN 12165
2	Seal	2	PTFE
3	Ball	1	CW602N UNI-EN 12165 chrome-plated
4	End connection	1	CW602N UNI-EN 12165
5	Stem	1	CW602N UNI-EN 12164
6	O-Ring	1	EPDM Perox
7	Gland packing	1	PTFE
8	Gland	1	CW617N UNI-EN 12164
9	Extension	1	CW617N UNI-EN 12165 nickel-plated
10	Screw stay	1	CW617N UNI-EN 12164
11	Lever	1	Lacquered aluminium
12	Screw	1	Galvanised iron

**DIMENSIONS**

DN	A	B	C	D	PN	KV*
15	1/2"	59	94	92	40	10,05
20	3/4"	68	103	92	40	21,57
25	1"	80	111	115	40	49,14
32	1.1/4"	96	123	115	30	68,65
40	1.1/2"	106	134	150	30	98,83
50	2"	130	139	150	30	177,04

PRESSURE DROP see chart at the end of catalogue

**PACKAGING**

	1/2"	3/4"	1"	1.1/4"	1.1/2"	2"
<b>CODE</b>	<b>79640204R</b>	<b>79640206R</b>	<b>79640208R</b>	<b>79640210R</b>	<b>79640211R</b>	<b>79640213R</b>
PCS BOX	8	8	4	-	-	-
PCS CARTON	80	80	40	15	10	10