

COMPRESSION FITTINGS FOR PEX-AL-PEX PIPES

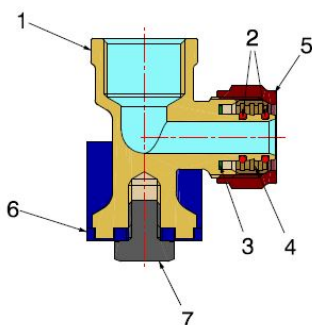
FITTING WITH SHAPED FIXED BRACKET

3924



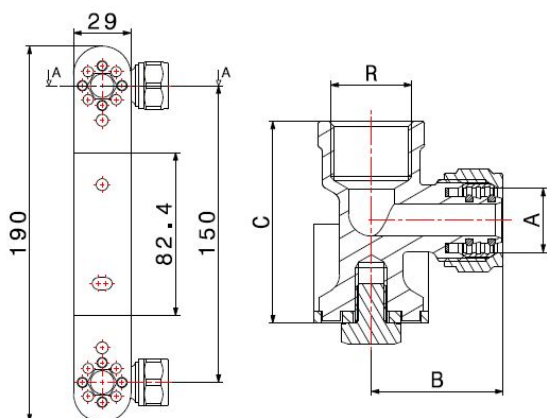
- Compression fittings with perforated shaped fixed pipe bracket
- Thread EN 10226-1
- Maximum operating pressure 10 bar
- Temperature range min 0°C - max 95°C

Fitting suitable for distributing fluids that are generally non-corrosive, compatibly with the fitting materials. Heating, plumbing and industrial systems are the ideal fields of application, such as high and low temperature heating systems, HVAC, air-conditioning and distribution of drinking water. The fitting features an external clamping nut to ensure a perfect crimping to the pipe and an excellent resistance to external stress.



COMPONENTS

POS.	PART NAME	N°	MATERIAL
1	Fitting	2	CW617N UNI-EN 12165 nickel-plated
2	O-Ring	4	EPDM Perox
3	Washer	2	PTFE
4	Ogive	2	CW614N UNI-EN 12164
5	Nut	2	CW617N UNI-EN 12165 nickel-plated
6	Spacer pipe clip	1	Galvanised iron
7	Screw	2	Galvanised iron



DIMENSIONS

A	R	B	C
16x2	1/2"	33	51

PACKAGING

	16 - 1/2"
CODE	39241604
PCS BAG	-
PCS CARTON	25