

WATER BALL VALVES

MISSOURI

795300

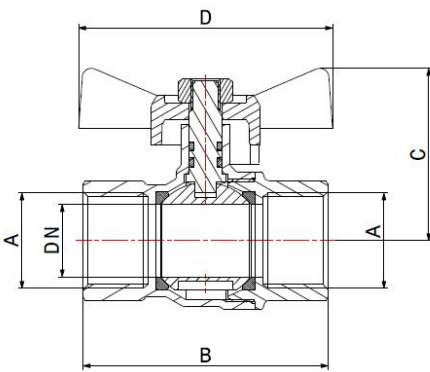
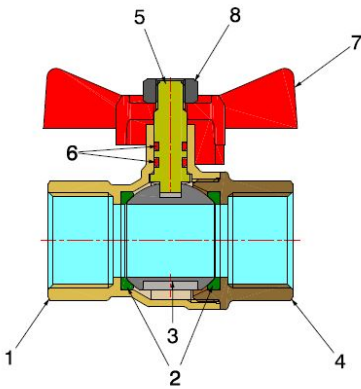


- F/F water ball valve with T handle
- Thread EN 10226-1
- Temperature range min -10°C - max +95°C

Valve suitable for distributing and interrupting liquids that are generally non-corrosive, compatibly with the valve materials. Plumbing, heating, industrial and agricultural sectors are the ideal fields of application. It's a full bore valve and the ball seal is guaranteed by two PTFE seats.

The operating mechanism seal features two O-Rings with an internally installed stem and anti-ejection system.

It is advisable to carry out a complete maneuver cycle at least once every three months in order to prevent limescale deposits that could compromise the valve functioning.



COMPONENTS

POS.	PART NAME	N°	MATERIAL
1	Body	1	CW617N UNI-EN 12165 nickel-plated
2	Seal	2	PTFE
3	Ball	1	CW617N UNI-EN 12165 chrome-plated
4	End connection	1	CW617N UNI-EN 12165 nickel-plated
5	Stem	1	CW617N UNI-EN 12164
6	O-Ring	2	VITON®
7	"T" handle	1	Lacquered aluminium
8	Nut	1	Galvanised iron

DIMENSIONS

DN	A	B	C	D	PN	KV*
15	Rp 1/2"	59	41	50	40	10,05
20	Rp 3/4"	68	47	67	40	21,57
25	Rp 1"	80	52	67	40	49,14

PRESSURE DROP see chart at the end of catalogue

PACKAGING

	Rp 1/2"	Rp 3/4"	Rp 1"
CODE	79530004	79530006	79530008
PCS BOX	12	10	8
PCS CARTON	120	120	72