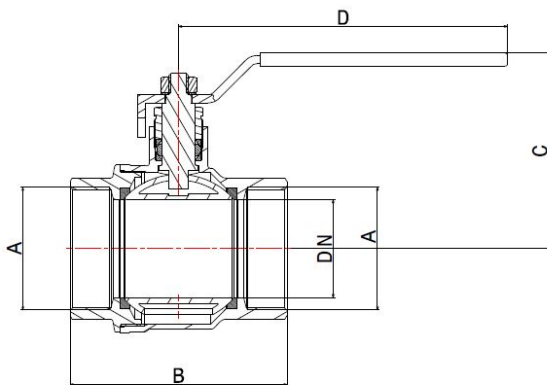
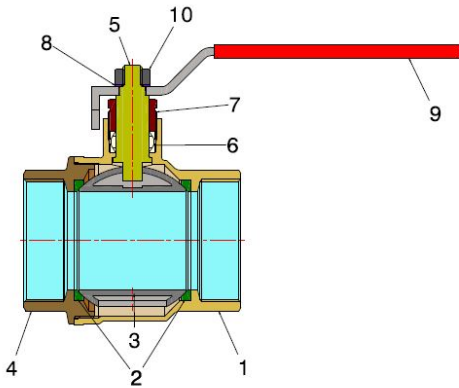
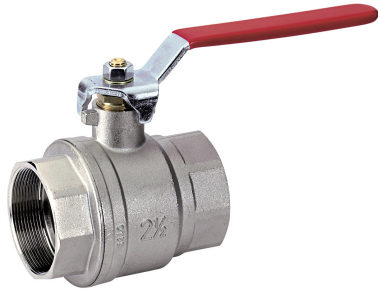


WATER BALL VALVES

MISSOURI FROM 2.1/2" TO 4"

795101



- F/F water ball valve with gland packing iron lever
- Thread ISO 228
- Temperature range min -10°C - max +95°C

Valve suitable for distributing and interrupting liquids that are generally non-corrosive, compatibly with the valve materials. Plumbing, heating, industrial and agricultural sectors are the ideal fields of application. It's a standard bore valve and the ball seal is guaranteed by two PTFE seats.

The operating mechanism seal features two PTFE sealing rings with adjustable gland, internally installed stem and anti-ejection system. It is advisable to carry out a complete maneuver cycle at least once every three months in order to prevent limescale deposits that could compromise the valve functioning.

COMPONENTS

| POS. | PART NAME | N° | MATERIAL |
|------|----------------|----|-----------------------------------|
| 1 | Body | 1 | CW617N UNI-EN 12165 nickel-plated |
| 2 | Seal | 2 | PTFE |
| 3 | Ball | 1 | CW617N UNI-EN 12165 chrome-plated |
| 4 | End connection | 1 | CW617N UNI-EN 12165 nickel-plated |
| 5 | Stem | 1 | CW617N UNI-EN 12164 |
| 6 | Gland packing | 3 | PTFE |
| 7 | Gland | 1 | CW614N UNI-EN 12164 |
| 8 | Washer | 1 | CW508L UNI-EN 1652 |
| 9 | Lever | 1 | Galvanised iron and PVC coated |
| 10 | Nut | 1 | Galvanised iron |

DIMENSIONS

| DN | A | B | C | D | PN |
|-----|--------|-----|-----|-----|----|
| 65 | 2.1/2" | 132 | 108 | 200 | 20 |
| 80 | 3" | 167 | 126 | 200 | 20 |
| 100 | 4" | 200 | 159 | 280 | 20 |

PACKAGING

| | 2.1/2" | 3" | 4" |
|-------------|-----------------|-----------------|-----------------|
| CODE | 79510115 | 79510117 | 79510119 |
| PCS BOX | - | - | - |
| PCS CARTON | 10 | 5 | 2 |