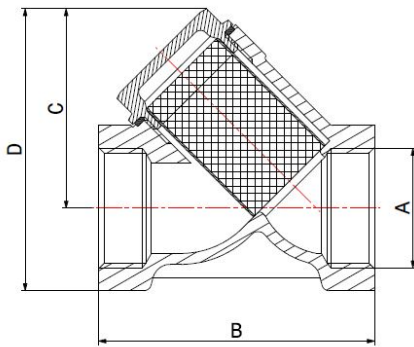
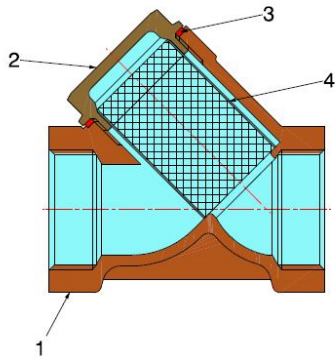
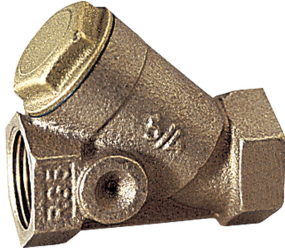


STRAINERS

BRONZE Y STRAINER

2000



- F/F bronze Y strainer
- Thread ISO 228
- Temperature range min 0°C - max +95°C / min +32°F - max +203°F
- Standard strainer 900 micron hole – 18 mesh (for 3" and 4" valves only available with strainer with 800 micron hole - 16 mesh)
- On request:
 - 500 micron hole - 40 mesh
 - 350 micron hole - 50 mesh
 - 200 micron hole - 80 mesh
 - 140 micron hole - 100 mesh

Strainer suitable for performing a filtration function of liquids that could cause dezincification problems, therefore it is especially recommended in harsh environments, such as marine ones. Shipbuilding, plumbing, heating and industrial sectors are the ideal fields of application. The flow direction is indicated by an arrow on the valve body, while the installation can be in horizontal or vertical position. The strainer tightness is guaranteed by a carbon-filled PTFE seal.

COMPONENTS

POS.	PART NAME	N°	MATERIAL
1	Body	1	Bronze CC491K UNI-EN 1982:2000
2	Cap	1	CW617N UNI-EN 12164 (3/8" and 1/2") - CW617N UNI-EN 12165 (3/4" to 2")
3	Cap gasket	1	PTFE
4	Strainer	1	AISI 304 stainless steel

DIMENSIONS MM

DN	A	B	C	D	PN
10	3/8"	53	33	46	16
15	1/2"	57	35	50	16
20	3/4"	66	42	61	16
25	1"	76	54	77	16
32	1.1/4"	90	63	92	16
40	1.1/2"	104	76	108	16
50	2"	124	91	132	16
65	2.1/2"	163	118	168	16
80	3"	172	128	184	16
100	4"	226	178	255	16

PACKAGING

	3/8"	1/2"	3/4"	1"	1.1/4"	1.1/2"	2"	2.1/2"	3"	4"
CODE	2000010C00	2000010D00	2000010E00	2000010F00	2000010G00	2000010H00	2000010I00	2000010J00	2000010K00	2000010M00
PCS BOX	20	15	10	10	-	-	-	-	-	-
PCS CARTON	180	120	80	60	40	30	20	10	5	2