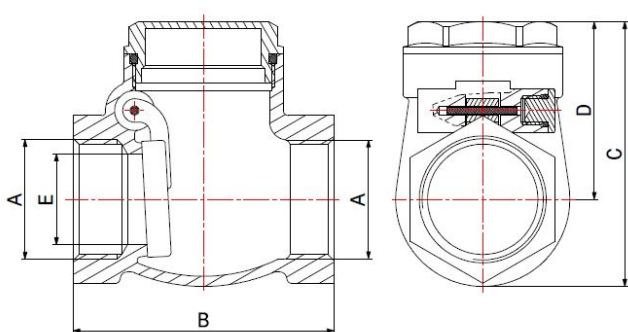
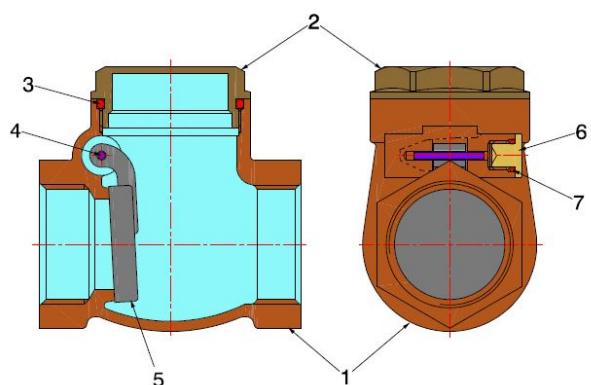


SWING CHECK VALVES

BRONZE SWING CHECK VALVE METAL SEAT

3010



- Bronze swing check valve metal seat
- Female/Female thread ISO 228 - NPT Female/Female thread on request
- Temperature range min 0°C - max + 95°C / min +32°F - max +203°F

Valve suitable for distributing, regulating and interrupting liquids that could cause dezincification problems. It is especially recommended in harsh environments, such as marine ones, as long as the liquid is not salt water or with impurities that could damage the sealing. Shipbuilding, plumbing, heating and industrial sectors are the ideal fields of application. The flow direction is indicated by an arrow on the valve body, while the installation can be in horizontal or vertical position.

The seat tightness is guaranteed by a metal-to-metal seal.

COMPONENTS

POS.	PART NAME	N°	MATERIAL
1	Body	1	Bronze CC491K UNI-EN 1982:2000
2	Cap	1	CW617N (1/2") UNI-EN 12164 - CW617N (da 3/4" a 4") UNI-EN 12165
3	Cap O-Ring	1	NBR
4	Pin	1	CW617N UNI-EN 12164
5	Clapet	1	CW617N UNI-EN 12165
6	M8 Cap	1	CW617N UNI-EN 12164
7	O-Ring	1	NBR

DIMENSIONS MM

DN	A	B	C	D	E	PN
15	1/2"	55	53	36	14	16
20	3/4"	62	64	43	20	16
25	1"	72	73	49	25	16
32	1.1/4"	82	85	57	30	16
40	1.1/2"	90	95	63	35	16
50	2"	105	107	69	47	16
65	2.1/2"	125	128	82	60	16
80	3"	144	145	91	74	16
100	4"	176	192	123	95	16

PACKAGING

	1/2"	3/4"	1"	1.1/4"	1.1/2"	2"	2.1/2"	3"	4"
CODE	3010010D00	3010010E00	3010010F00	3010010G00	3010010H00	3010010I00	3010010J00	3010010K00	3010010M00
PCS BOX	15	10	6	-	-	-	-	-	-
PCS CARTON	120	80	48	40	35	20	14	6	4