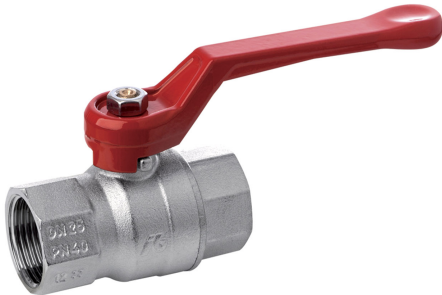


WATER BALL VALVES

MISSOURI

795102

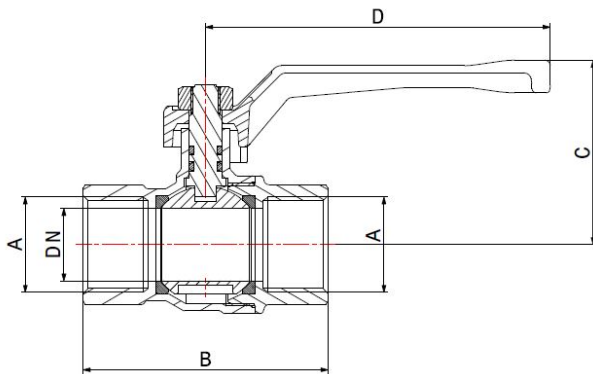
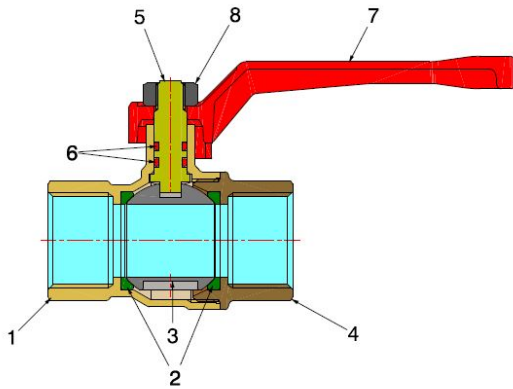


- F/F water ball valve with aluminium lever
- Thread EN 10226-1
- Temperature range min -10°C - max +95°C

Valve suitable for distributing and interrupting liquids that are generally non-corrosive, compatibly with the valve materials. Plumbing, heating, industrial and agricultural sectors are the ideal fields of application. It's a full bore valve and the ball seal is guaranteed by two PTFE seats.

The operating mechanism seal features two O-Rings with an internally installed stem and anti-ejection system.

It is advisable to carry out a complete maneuver cycle at least once every three months in order to prevent limescale deposits that could compromise the valve functioning.



COMPONENTS

POS.	PART NAME	N°	MATERIAL
1	Body	1	CW617N UNI-EN 12165 nickel-plated
2	Seal	2	PTFE
3	Ball	1	CW617N UNI-EN 12165 chrome-plated
4	End connection	1	CW617N UNI-EN 12165 nickel-plated
5	Stem	1	CW617N UNI-EN 12164
6	O-Ring	2	NBR
7	Lever	1	Lacquered aluminium
8	Nut	1	Galvanised iron

DIMENSIONS

DN	A	B	C	D	PN	KV*
15	Rp 1/2"	59	43	95	40	10,05
20	Rp 3/4"	68	52	95	40	21,57
25	Rp 1"	80	59	120	40	49,14
32	Rp 1.1/4"	96	69	150	30	68,65
40	Rp 1.1/2"	106	81	150	30	98,83
50	Rp 2"	130	89	150	30	177,04

PRESSURE DROP see chart at the end of catalogue

PACKAGING

	Rp 1/2"	Rp 3/4"	Rp 1"	Rp 1.1/4"	Rp 1.1/2"	Rp 2"
CODE	79510204	79510206	79510208	79510210	79510211	79510213
PCS BOX	12	10	8	-	-	-
PCS CARTON	120	100	72	25	16	8