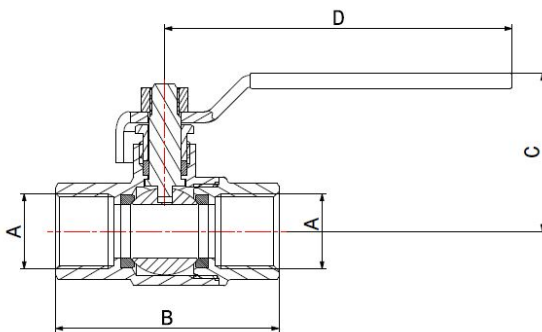
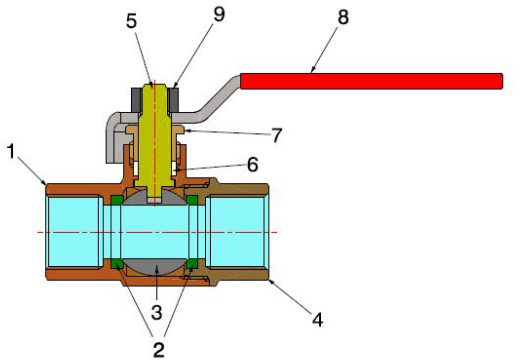
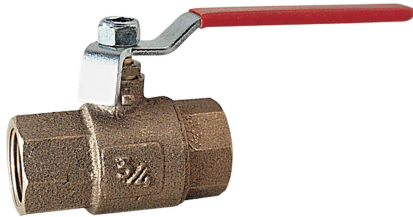


BALL VALVES

RENO MM

1300



- F/F bronze ball valve with iron lever
- Thread ISO 228 - on request EN10226-1- NPT
- Temperature range min -10°C - max +120°C / min 14°F - max +248°F

Valve suitable for distributing, regulating and interrupting liquids that could cause dezincification problems. It is especially recommended in harsh environments, such as marine ones, as long as the liquid is not salt water or with impurities that could damage the sealing.

Shipbuilding, plumbing, heating and industrial sectors are the ideal fields of application. It's a full bore valve and the ball seal is guaranteed by two PTFE seats.

The operating mechanism seal features a PTFE ring and an adjustable gland with an internally installed stem and an anti-ejection system.

It is advisable to carry out a complete maneuver cycle at least once every three months in order to prevent limescale deposits that could compromise the valve functioning.

COMPONENTS

POS.	PART NAME	N°	MATERIAL
1	Body	1	CC491K UNI-EN 1982:2000
2	Seal	2	PTFE
3	Ball	1	CW617N UNI-EN 12165 chrome-plated
4	End connection	1	CC491K UNI-EN 1982:2000
5	Stem	1	CW617N UNI-EN 12164
6	Gland packing	1	PTFE
7	Gland	1	CW617N UNI-EN 12164
8	Lever	1	Galvanised iron and PVC coated
9	Nut	1	Galvanised iron

DIMENSIONS MM

DN	A	B	C	D	PN
8	1/4"	51	47,5	85	32
10	3/8"	51	47,5	85	32
15	1/2"	62	45	85	32
20	3/4"	70	57,5	104	32
25	1"	85	57,5	104	32
32	1.1/4"	99	75	122	32
40	1.1/2"	110	77,5	122	32
50	2"	134	93	153	32
65	2.1/2"	142	119,5	200	25
80	3"	178	134	280	25
100	4"	210	153,5	280	20

PRESSURE DROP see chart at the end of catalogue

PACKAGING

	1/4"	3/8"	1/2"	3/4"	1"	1.1/4"	1.1/2"	2"	2.1/2"	3"	4"
CODE	13000102R	13000103R	13000104R	13000106R	13000108R	13000110R	13000111R	13000113R	13000115R	13000117R	13000119R
PCS BOX	30	25	20	12	8	-	-	-	-	-	-

