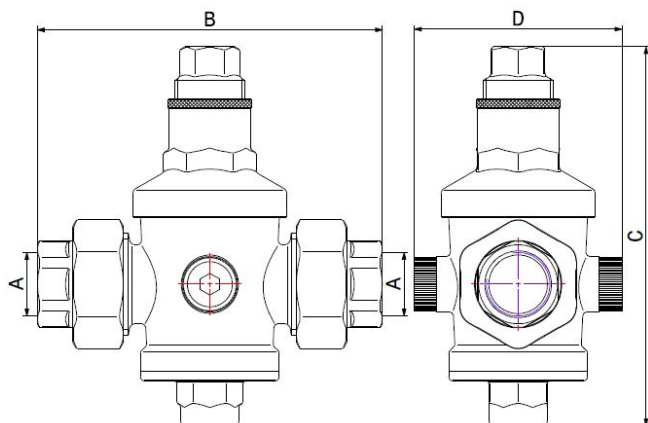


PRESSURE REDUCERS

PRESSURE REDUCER

3626



- Heavy-duty pressure reducer with stainless steel seat and F/F unions
- Maximum operating pressure 25 bar
- Temperature range min 0°C – max +80°C

Reducer suitable for regulating downstream pressure of fluids with a medium-high flow. Plumbing, heating, industrial and agricultural sectors are the ideal fields of application. The stainless steel AISI304 seat tightness is guaranteed by a NBR gasket.

The reducer is pre-calibrated in our factory with an outlet pressure of 3 bar.

The regulation range of the outlet pressure from 1/2" to 1" is 0,5 - 5 bar

The regulation range of the outlet pressure from 1 1/4" to 2" is 1 - 5,5 bar

DIMENSIONS

A	B	C	D
1/2"	118	128	68
3/4"	130	160	80
1"	142	160	80
1".1/4	170	215	95
1".1/2	170	215	95
2"	210	245	120

PACKAGING

	1/2"	3/4"	1"	1.1/4"	1.1/2"	2"
CODE	36260004	36260006	36260008	36260010	36260011	36260013
PCS BOX	1	1	1	-	-	-
PCS CARTON	20	10	10	10	10	5