

WASHING-MACHINE TAPS

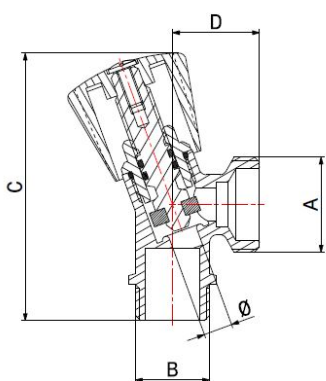
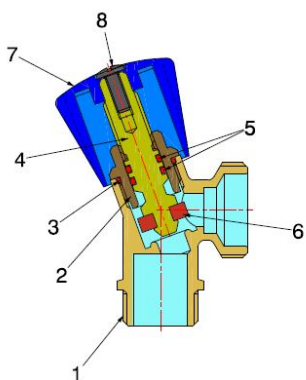
WASHING-MACHINE TAP

4080



- Washing machine tap
- Male/Male thread ISO 228
- Temperature range min 0°C – max +80°C

Tap suitable for distributing, regulating and interrupting fluids that are generally non-corrosive, compatibly with the valve materials. Plumbing and heating systems are the ideal field of application, where it is used as shut-off tap before other appliances such as washing machines or dishwashers. The seat tightness is guaranteed by a NBR gasket.



COMPONENTS

POS.	PART NAME	N°	MATERIAL
1	Upper part body	1	CW617N UNI-EN 12165 chrome-plated
2	End connection	1	CW617N UNI-EN 12164
3	O-Ring	1	NBR
4	Upper part stem	1	CW617N UNI-EN 12164
5	O-Ring	2	NBR
6	Gasket	1	NBR
7	Handle	1	ABS chrome-plated
8	Screw	1	CW508L UNI-EN 12166 nickel-plated

DIMENSIONS

A	B	C	D	Ø	PN
3/4"	1/2"	74	24	8	10

PACKAGING

	3/4"
CODE	40800006
PCS BOX	1
PCS CARTON	150