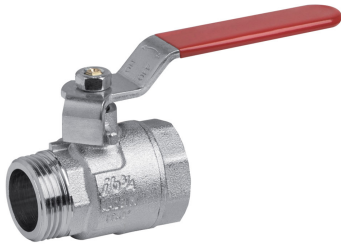


WATER BALL VALVES

DANUBIO

774901

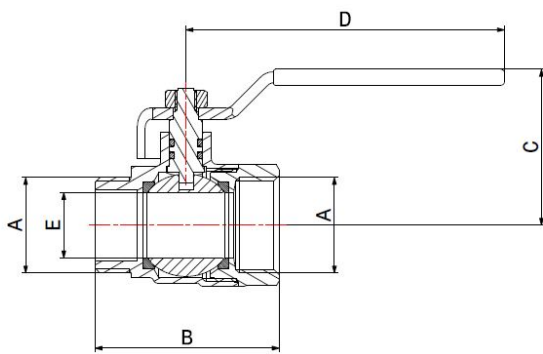
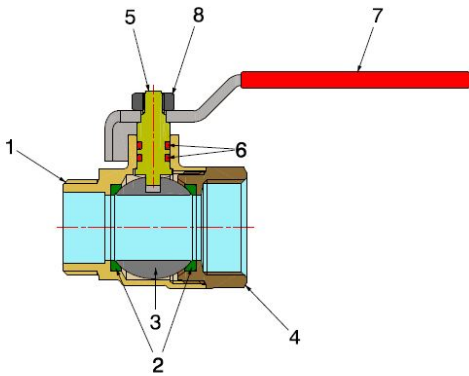


- M/F water ball valve with iron lever
- Thread ISO 228
- Temperature range min -10°C - max +95°C

Valve suitable for distributing and interrupting liquids that are generally non-corrosive, compatibly with the valve materials. Plumbing, heating, industrial and agricultural sectors are the ideal fields of application. It's a standard bore valve and the ball seal is guaranteed by two PTFE seats.

The operating mechanism seal features two O-Rings with an internally installed stem and anti-ejection system.

It is advisable to carry out a complete maneuver cycle at least once every three months in order to prevent limescale deposits that could compromise the valve functioning.



COMPONENTS

POS.	PART NAME	N°	MATERIAL
1	Body	1	CW617N UNI-EN 12165 nickel-plated
2	Seal	2	PTFE
3	Ball	1	CW617N UNI-EN 12165 chrome-plated
4	End connection	1	CW617N UNI-EN 12165 nickel-plated
5	Stem	1	CW617N UNI-EN 12164
6	O-Ring	2	NBR
7	Lever	1	Galvanised iron and PVC coated
8	Nut	1	Galvanised iron

DIMENSIONS

DN	A	B	C	D	E	PN
15	1/2"	46	40	87	14	40
20	3/4"	51	43	87	18	40
25	1"	62	48	95	22,5	40

PACKAGING

	1/2"	3/4"	1"
CODE	77490104R	77490106R	77490108R
PCS BOX	25	15	10
PCS CARTON	250	150	120