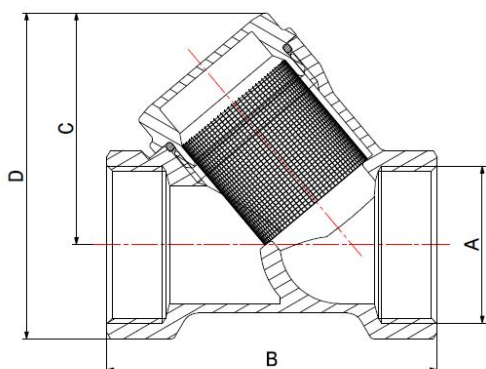
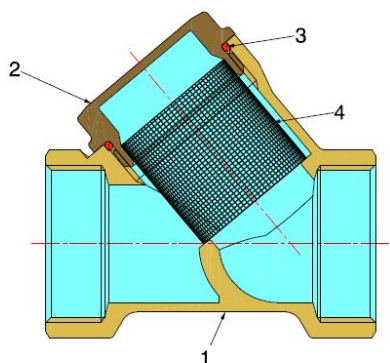


STRAINERS

BRASS Y STRAINER

1905



- F/F brass Y strainer
- Female/Female thread ISO 228
- Strainer with 350 micron hole - 50 Mesh
- Temperature range min 0°C - max +95°C

Valve properly used when it performs a filtration function for fluids that are generally non-corrosive, compatibly with the valve materials. Plumbing, heating, industrial, agricultural and pneumatic sectors are the ideal fields of application.

The flow direction is indicated by an arrow on the valve body, while the installation can be in horizontal or vertical position.

The seat tightness is guaranteed by a NBR seal.

COMPONENTS

| POS. | PART NAME | N° | MATERIAL |
|------|-------------|----|--|
| 1 | Body | 1 | CW617N UNI-EN 12165 |
| 2 | Plug | 1 | CW617N UNI-EN 12164 (for 3/8" and 1/2") - CW617N UNI-EN 12165 (3/4" to 2") |
| 3 | Plug gasket | 1 | NBR |
| 4 | Filter | 1 | AISI 304 stainless steel |

DIMENSIONS

| DN | A | B | C | D | PN |
|----|--------|-----|----|-----|----|
| 10 | 3/8" | 57 | 34 | 48 | 16 |
| 15 | 1/2" | 57 | 34 | 48 | 16 |
| 20 | 3/4" | 66 | 41 | 58 | 16 |
| 25 | 1" | 80 | 51 | 73 | 16 |
| 32 | 1.1/4" | 92 | 62 | 88 | 16 |
| 40 | 1.1/2" | 101 | 69 | 98 | 16 |
| 50 | 2" | 121 | 86 | 121 | 16 |

PACKAGING

| | 3/8" | 1/2" | 3/4" | 1" | 1.1/4" | 1.1/2" | 2" |
|-------------|-----------------|-----------------|-----------------|-----------------|-----------------|-----------------|-----------------|
| CODE | 19050003 | 19050004 | 19050006 | 19050008 | 19050010 | 19050011 | 19050013 |
| PCS BOX | 15 | 15 | 10 | 5 | - | - | - |
| PCS CARTON | 150 | 150 | 100 | 50 | 25 | 20 | 10 |